



### 电气参数 ELECTRICAL SPECIFICATIONS

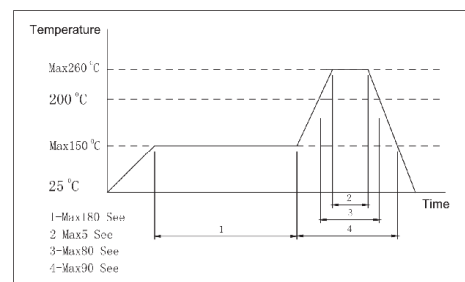
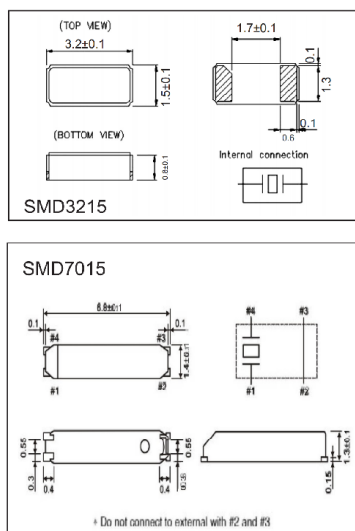
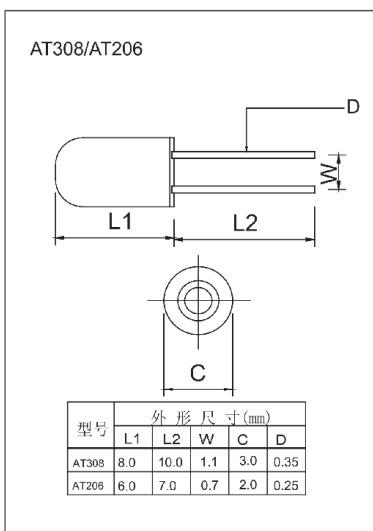
项次 Item	规格 Specification			
	AT308	AT206	SMD3215	SMD7015
频率范围 Frequency Range(KHz)	32.000~150.000	32.000~75.000	32.768	32.768
振荡模式 Mode of Oscillation	Fundamental			
调整频差 Frequency Tolerance (at 25°C)	±20ppm Standard,(±5ppm, ±10ppm, ±30ppm Available)			
温度频差 Frequency Stability Over Temperature	±30ppm Standard,(±20ppm Available)			
工作温度 Operating Temperature Range	-20°C~+70°C Standard,-40°C~+85°C Extended			
储存温度 Storage Temperature Range	-40°C~+120°C			
老化率 Aging (at 25°C)	±3ppm/year Max			
负载电容 Load Capacitance	6PF;12.5PF; 20PF			
静态电容 Shunt Capacitance	5.0PF Max			
驱动功率 Drive Level	0.01μw~100μw			
回流焊条件 Reflow Conditions	240°C for 5s Max, 2 reflows Max			

### 等效电阻 Equivalent Series Resistance

频段 \ 型号	DT308	DT206	HY3215	HY7015
32KHz ≤ Freq. < 150KHz	30~25KΩ	35~30KΩ	-	-
32.768KHz	-	-	70 KΩ	65KΩ

### 外形尺寸 DIMENSIONS(mm)

### 回流焊曲线 SODLE REFLOW PROFILE



主要参数除以上指标外, 可根据客户要求制作特殊规格的产品  
Mostly parameter out above guideline, can produce special specifications products according to your requirement.